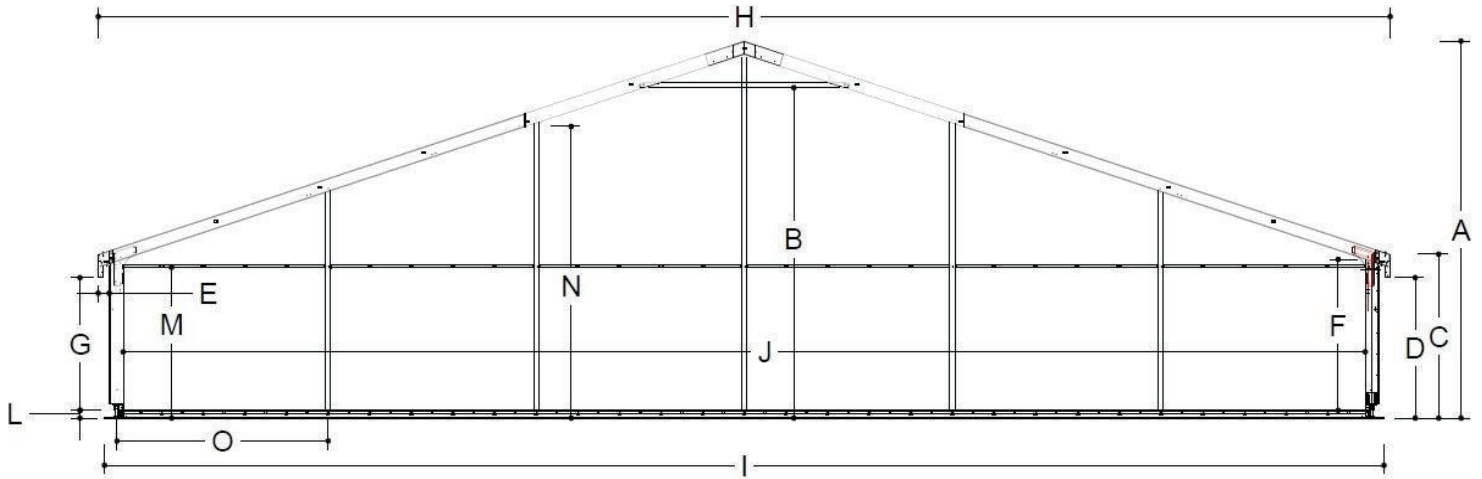


Alu hall

A30/400/5

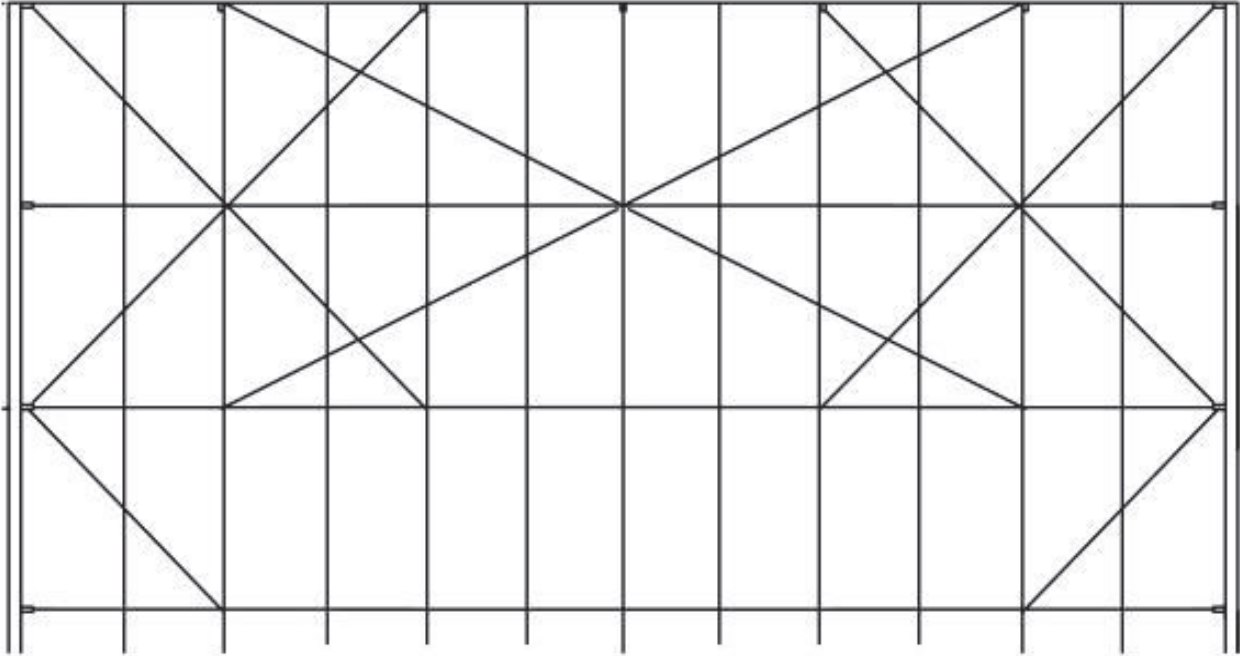


Technical data

	(mm)			
A	External ridge height	9120	Wind load	0,50 kN/m ²
B	Internal free ridge height	7649	Snow load	0 KN/m ²
C	External side height	3870	Bearing capacity standard floor	500kg/m ²
D	External free height	3315	Column profile	120x300
E	Roof overhang	266	Maximum roof load	400kg per rafterset
F	Internal free side height	3560	Mounting points in structure	Columns and rafters
G	Free side height	3132	Roof incline	18°
H	External width of the roof	31060	Standard fire resistance standard	DIN 4102/B1
I	Maximum width ground level	30790	roof covers	M2
J	Internal width between columns	29850		B-s2,d0
K	Bay distance	5000		
L	Floorheight	183		
M	Maximum headway ground to underside gable purlin	3560		
N	Maximum headway with internal gable	6700		

Alu hall

A30/400/5

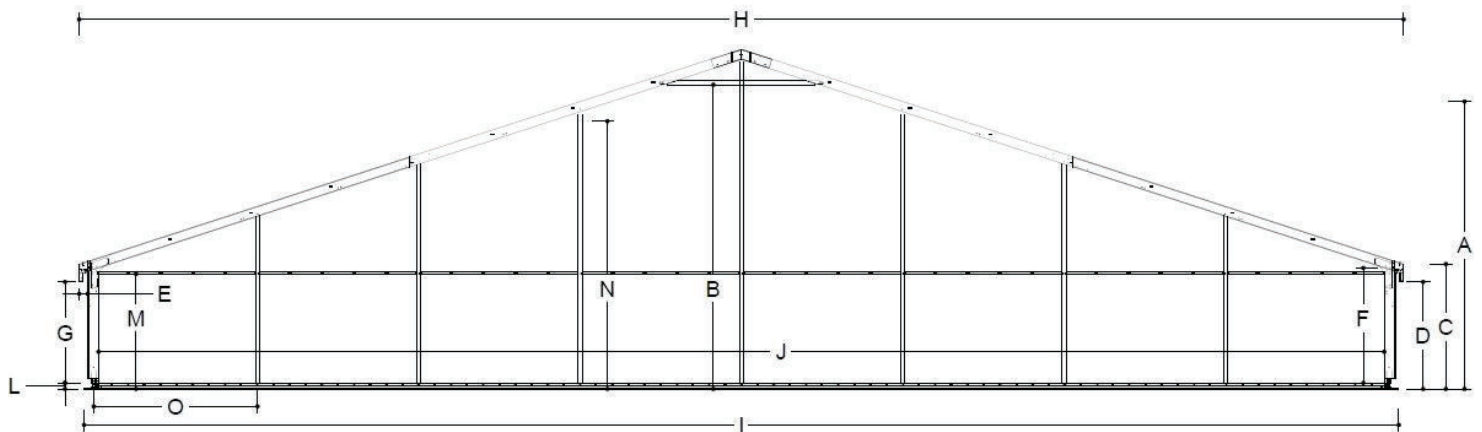


Options

Available roof covers	White opaque roof cover Transparent roof cover	Available side curtains and side panels	PVC side curtains PVC side curtains with arched windows Vertical PVC side panels Vertical glass side panels Sandwich side panels
Available floors	Cassette floor Plate floor Antiskid cassette floor	Roof insulation	No
Available doors	Aluminium push bar door 2m (blind) Aluminium push bar door 2m (glass) Emergency door	Insulation side panels	No
		Connection to permanent buildings	Yes
		Connection to other De Boer structures	Yes

Alu hall

A40/400/5

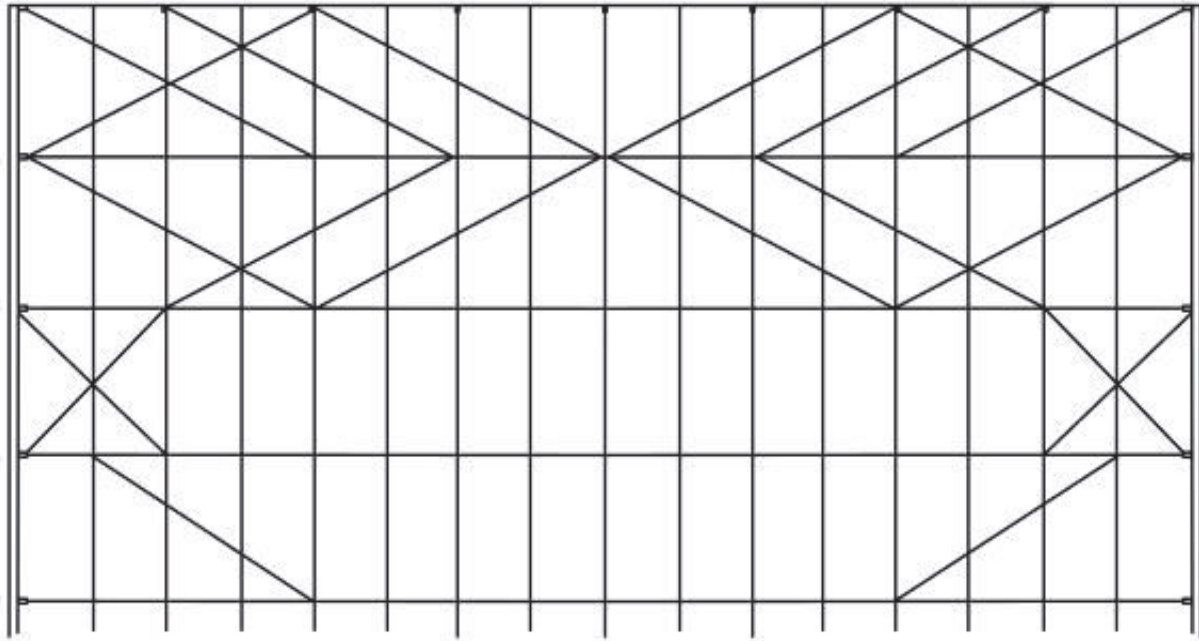


Technical data

	(mm)			
A	External ridge height	10375	Wind load	0,50 kN/m ²
B	Internal free ridge height	8904	Snow load	0 KN/m ²
C	External side height	3870	Bearing capacity standard floor	500kg/m ²
D	External free height	3315	Column profile	120x300
E	Roof overhang	266	Maximum roof load	400kg per rafterset
F	Internal free side height	2650	Mounting points in structure	Columns and rafters
G	Free side height	3132	Roof incline	18°
H	External width of the roof	41060	Standard fire resistance standard	DIN 4102/B1
I	Maximum width ground level	40790	roof covers	M2
J	Internal width between columns	39850		B-s2,d0
K	Bay distance	5000		
L	Floorheight	183		
M	Maximum headway ground to underside gable purlin	3560		
N	Maximum headway with internal gable	8260		

Alu hall

A40/400/5

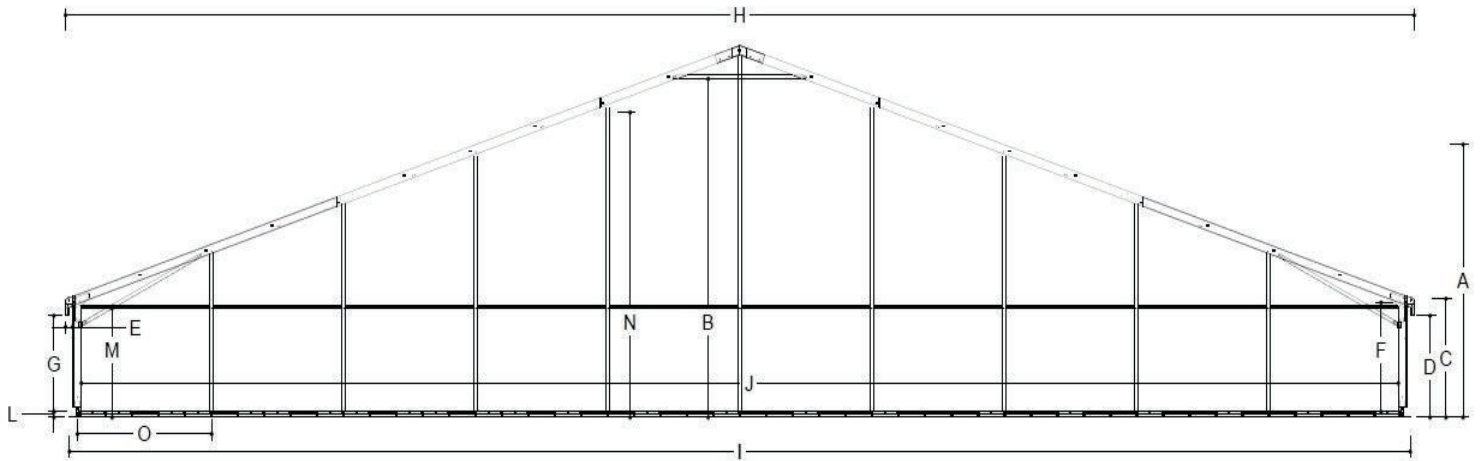


Options

Available roof covers	White opaque roof cover Transparent roof cover	Available side curtains and side panels	PVC side curtains PVC side curtains with arched windows Vertical PVC side panels Vertical glass side panels Sandwich side panels
Available floors	Cassette floor Plate floor Antiskid cassette floor	Roof insulation	No
Available doors	Aluminium push bar door 2m (blind) Aluminium push bar door 2m (glass) Emergency door	Insulation side panels	No
		Connection to permanent buildings	Yes
		Connection to other De Boer structures	Yes

Alu hall

A50/400/5

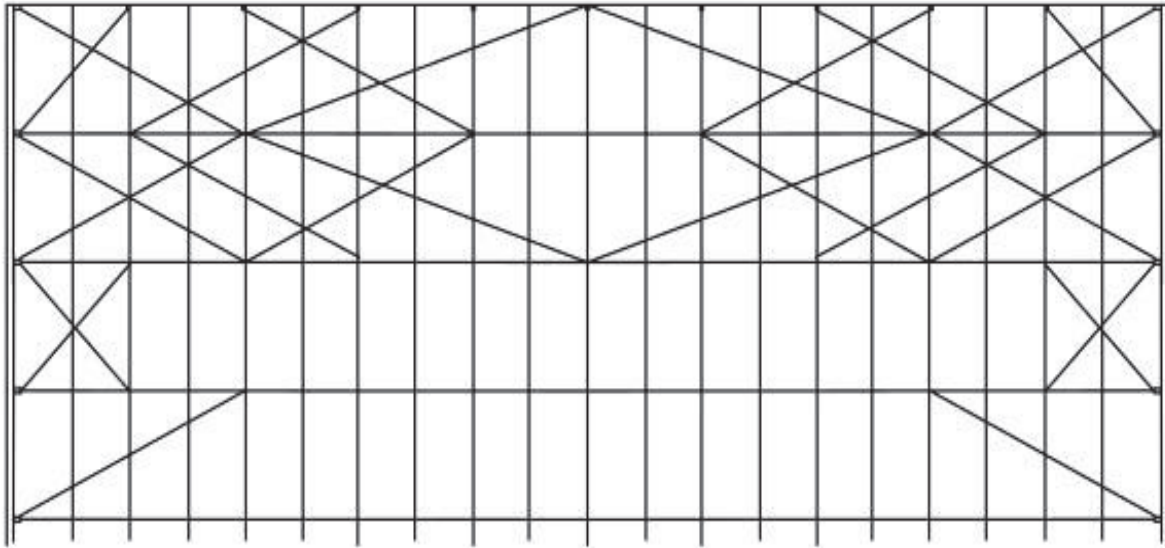


Technical data

	(mm)			
A	External ridge height	12120	Wind load	0,50 kN/m ²
B	Internal free ridge height	10500	Snow load	0 KN/m ²
C	External side height	3870	Bearing capacity standard floor	500kg/m ²
D	External free height	3315	Column profile	120x300
E	Roof overhang	266	Maximum roof load	400kg per rafterset
F	Internal free side height	2650	Mounting points in structure	Columns and rafters
G	Free side height	3132	Roof incline	18°
H	External width of the roof	51060	Standard fire resistance standard	DIN 4102/B1
I	Maximum width ground level	50790	roof covers	M2
J	Internal width between columns	49850		B-s2,d0
K	Bay distance	5000		
L	Floorheight	183		
M	Maximum headway ground to underside gable purlin	3560		
N	Maximum headway with internal gable	9600		

Alu hall

A50/400/5

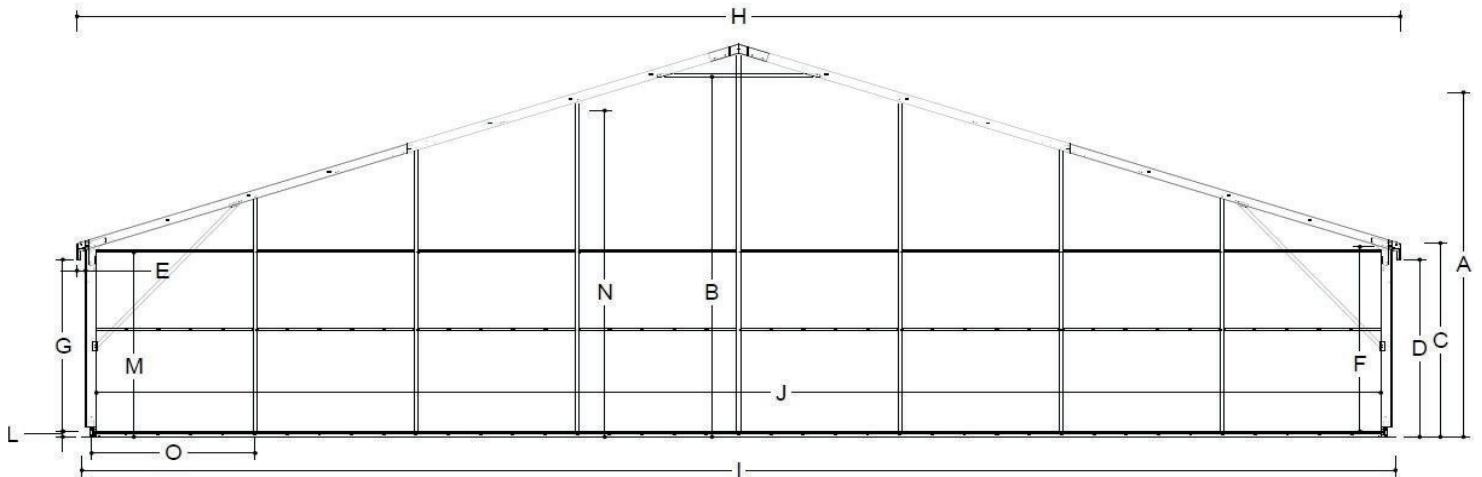


Options

Available roof covers	White opaque roof cover Transparent roof cover	Available side curtains and side panels	PVC side curtains PVC side curtains with arched windows Vertical PVC side panels Vertical glass side panels Sandwich side panels
Available floors	Cassette floor Plate floor Antiskid cassette floor	Roof insulation	No
Available doors	Aluminium push bar door 2m (blind) Aluminium push bar door 2m (glass) Emergency door	Insulation side panels	No
		Connection to permanent buildings	Yes
		Connection to other De Boer structures	Yes

Alu hall

A40/640/5

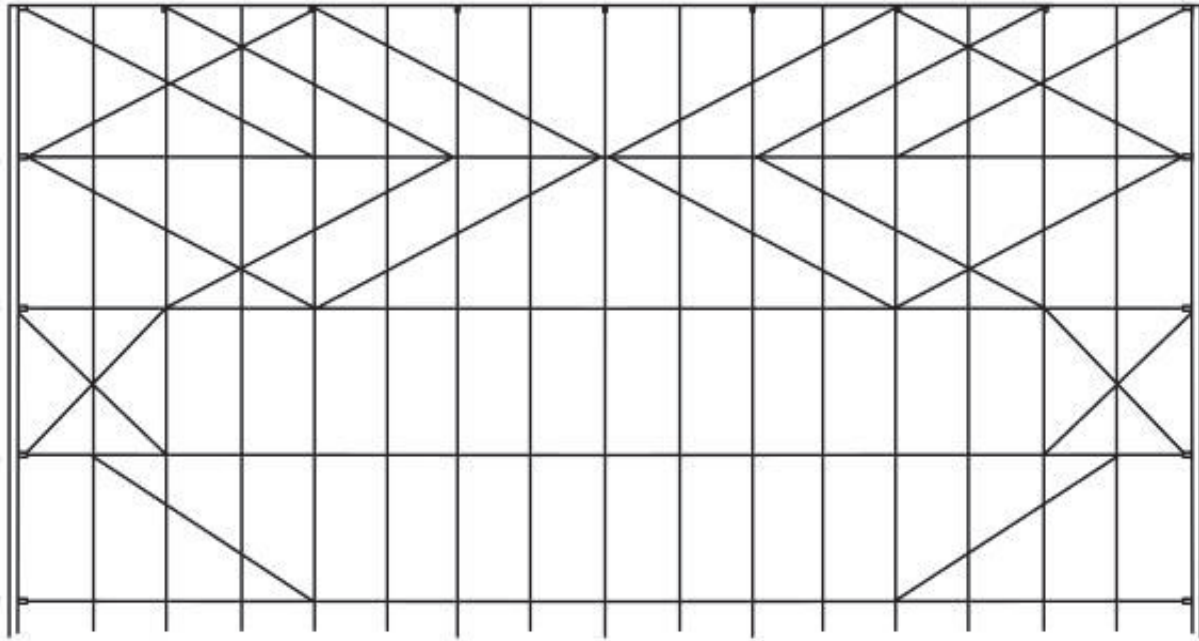


Technical data

	(mm)			
A	External ridge height	12985	Wind load	0,50 kN/m ²
B	Internal free ridge height	11514	Snow load	0 KN/m ²
C	External side height	6480	Bearing capacity standard floor	500kg/m ²
D	External free height	5925	Column profile	120x300
E	Roof overhang	266	Maximum roof load	400kg per rafterset
F	Internal free side height	5260	Mounting points in structure	Columns and rafters
G	Free side height	5742	Roof incline	18°
H	External width of the roof	41060	Standard fire resistance standard	DIN 4102/B1
I	Maximum width ground level	40790	roof covers	M2
J	Internal width between columns	39850		B-s2,d0
K	Bay distance	5000		
L	Floorheight	183		
M	Maximum headway ground to underside gable purlin	3560		
N	Maximum headway with internal gable	10870		

Alu hall

A40/640/5

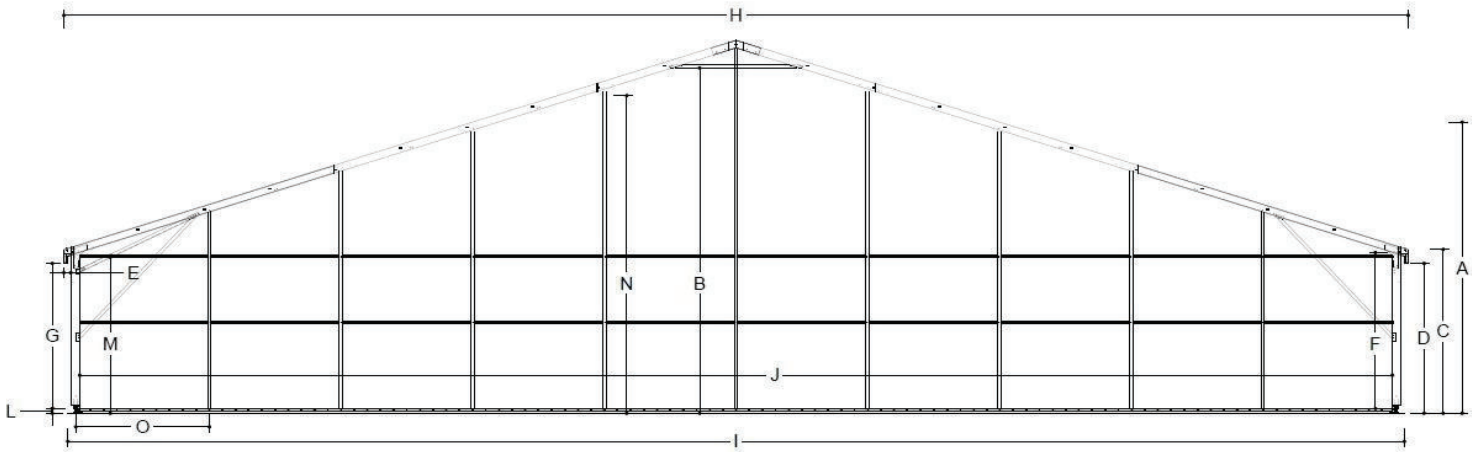


Options

Available roof covers	White opaque roof cover Transparent roof cover	Available side curtains and side panels	PVC side curtains PVC side curtains with arched windows Vertical PVC side panels Vertical glass side panels Sandwich side panels
Available floors	Cassette floor Plate floor Antiskid cassette floor	Roof insulation	Yes
Available doors	Aluminium push bar door 2m (blind) Aluminium push bar door 2m (glass) Emergency door	Insulation side panels	No
		Connection to permanent buildings	Yes
		Connection to other De Boer structures	Yes

Alu hall

A50/640/5

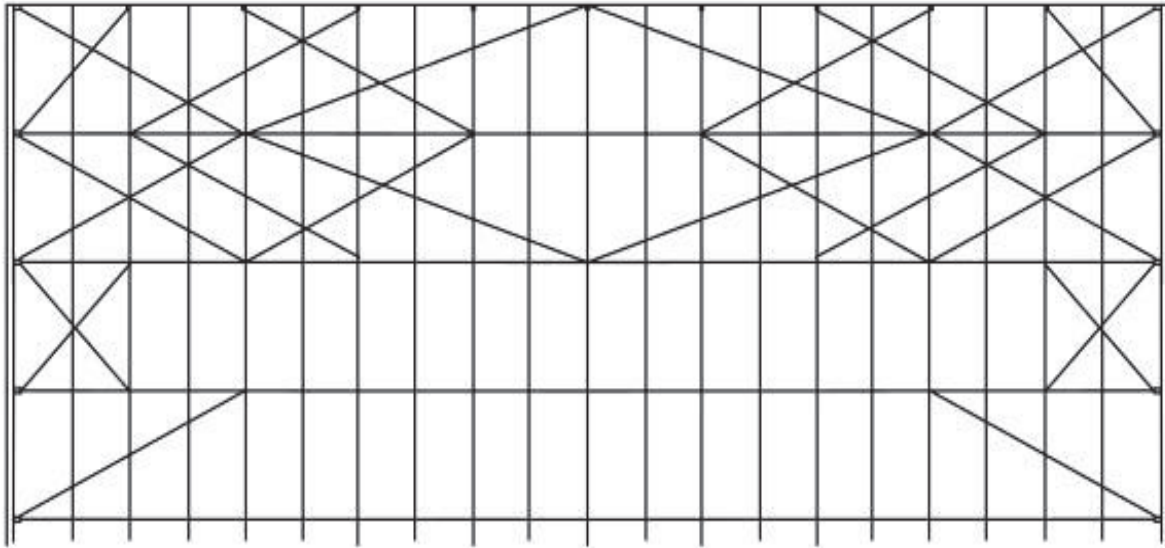


Technical data

	(mm)			
A	External ridge height	14730	Wind load	0,50 kN/m ²
B	Internal free ridge height	13110	Snow load	0 KN/m ²
C	External side height	6480	Bearing capacity standard floor	500kg/m ²
D	External free height	5925	Column profile	120x300
E	Roof overhang	266	Maximum roof load	400kg per rafterset
F	Internal free side height	5260	Mounting points in structure	Columns and rafters
G	Free side height	5742	Roof incline	18°
H	External width of the roof	51060	Standard fire resistance standard	DIN 4102/B1
I	Maximum width ground level	50790	roof covers	M2
J	Internal width between columns	49850		B-s2,d0
K	Bay distance	5000		
L	Floorheight	183		
M	Maximum headway ground to underside gable purlin	3560		
N	Maximum headway with internal gable	12210		

Alu hall

A50/640/5

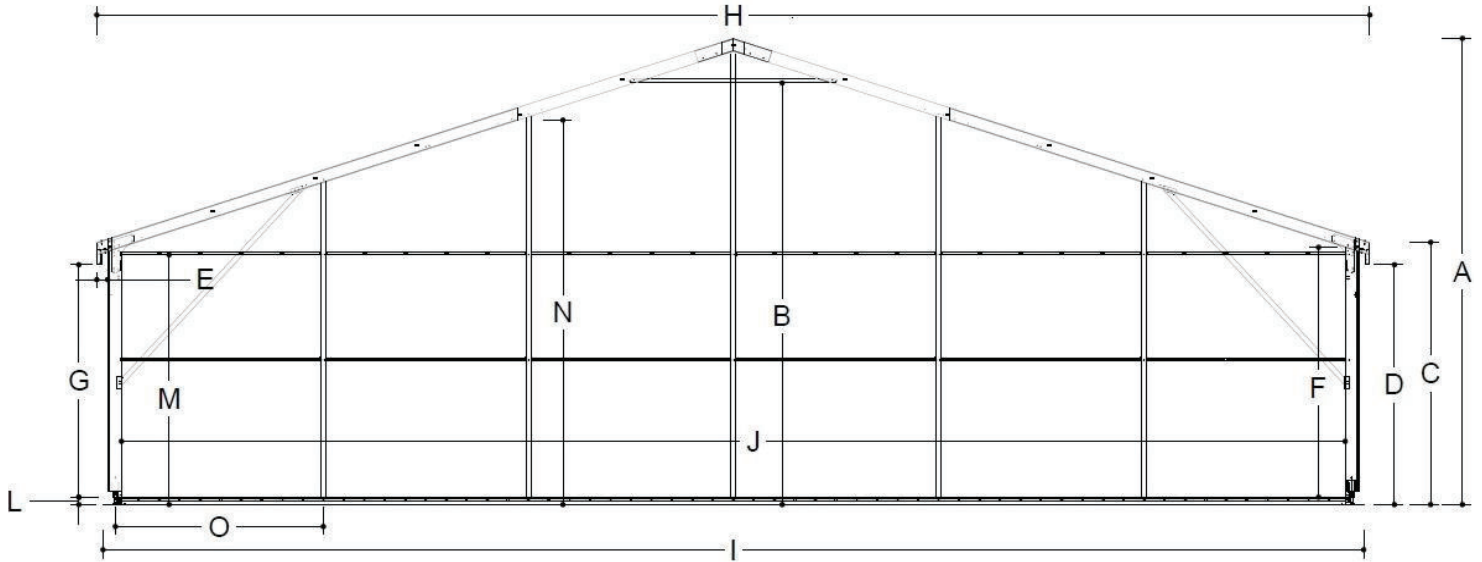


Options

Available roof covers	White opaque roof cover Transparent roof cover	Available side curtains and side panels	PVC side curtains PVC side curtains with arched windows Vertical PVC side panels Vertical glass side panels Sandwich side panels
Available floors	Cassette floor Plate floor Antiskid cassette floor	Roof insulation	Yes
Available doors	Aluminium push bar door 2m (blind) Aluminium push bar door 2m (glass) Emergency door	Insulation side panels	No
		Connection to permanent buildings	Yes
		Connection to other De Boer structures	Yes

Alu hall

A30/640/5

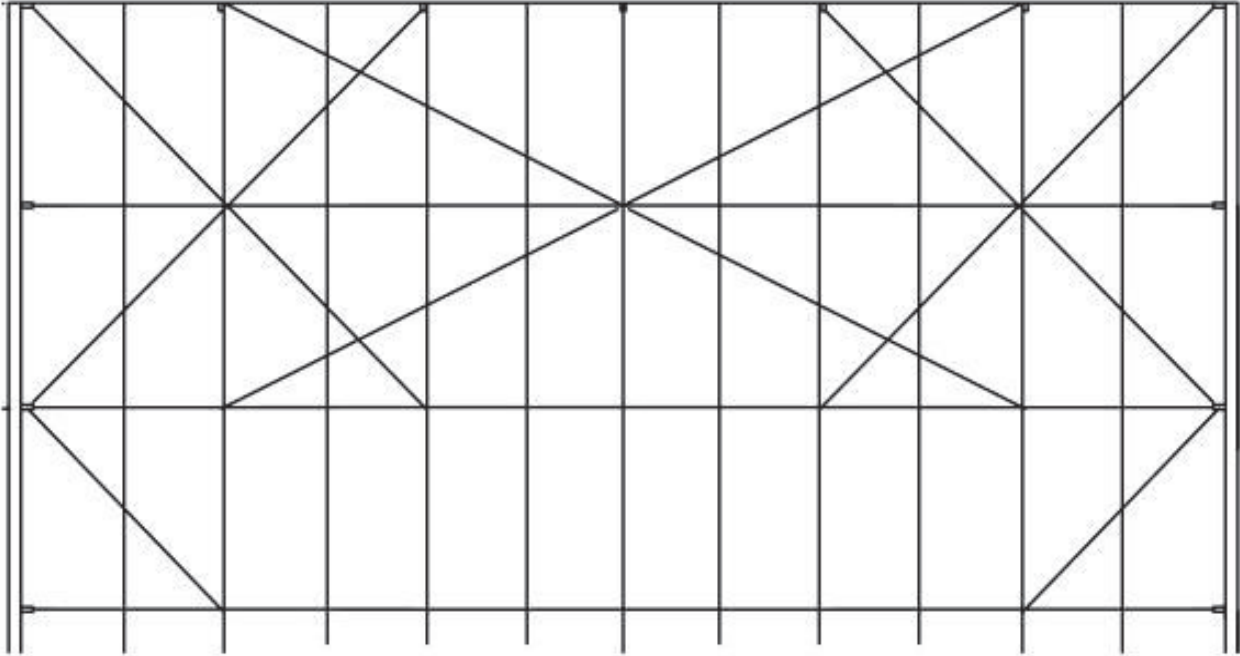


Technical data

	(mm)			
A	External ridge height	11730	Wind load	0,50 kN/m ²
B	Internal free ridge height	10259	Snow load	0 KN/m ²
C	External side height	6480		
D	External free height	5925	Bearing capacity standard floor	500kg/m ²
E	Roof overhang	266		
F	Internal free side height	5260	Column profile	120x300
G	Free side height	5742	Maximum roof load	400kg per rafterset
H	External width of the roof	31060		
I	Maximum width ground level	30790	Mounting points in structure	Columns and rafters
J	Internal width between columns	29850		
K	Bay distance	5000	Roof incline	18°
L	Floorheight	183		
M	Maximum headway ground to underside gable purlin	3560	Standard fire resistance standard roof covers	DIN 4102/B1 M2 B-s2,d0
N	Maximum headway with internal gable	9310		

Alu hall

A30/640/5



Options

Available roof covers	White opaque roof cover Transparent roof cover	Available side curtains and side panels	PVC side curtains PVC side curtains with arched windows Vertical PVC side panels Vertical glass side panels Sandwich side panels
Available floors	Cassette floor Plate floor Antiskid cassette floor	Roof insulation	Yes
Available doors	Aluminium push bar door 2m (blind) Aluminium push bar door 2m (glass) Emergency door	Insulation side panels	No
		Connection to permanent buildings	Yes
		Connection to other De Boer structures	Yes