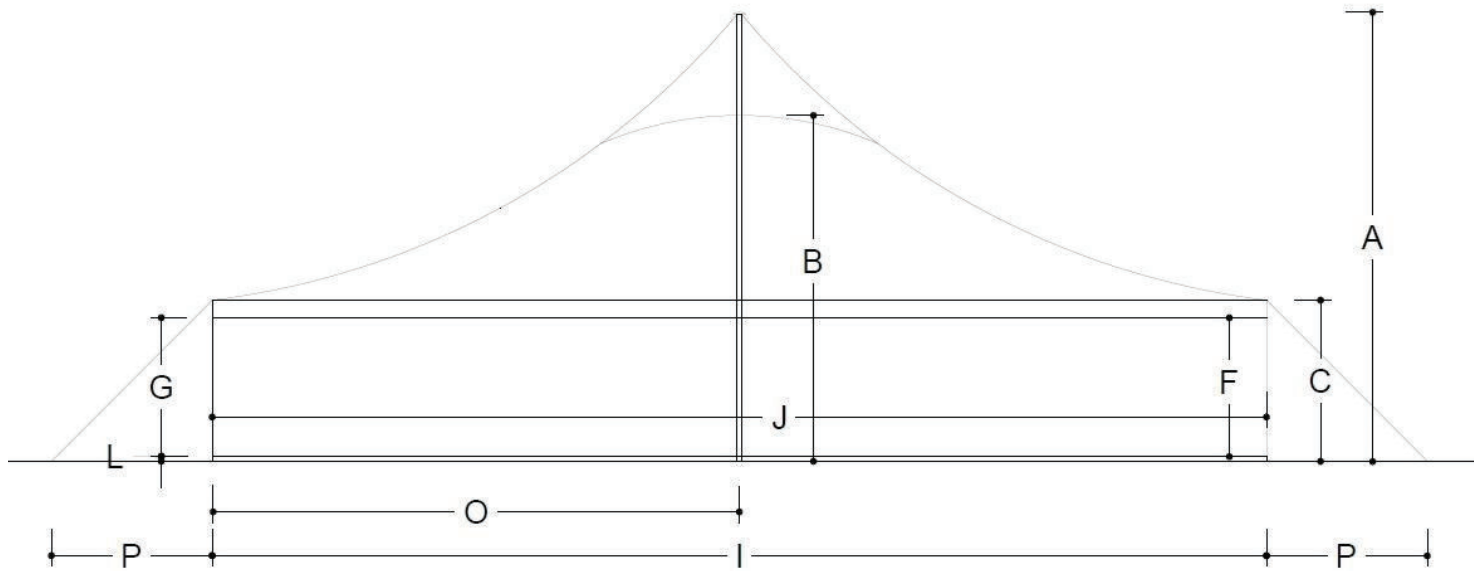


Orion

20 m

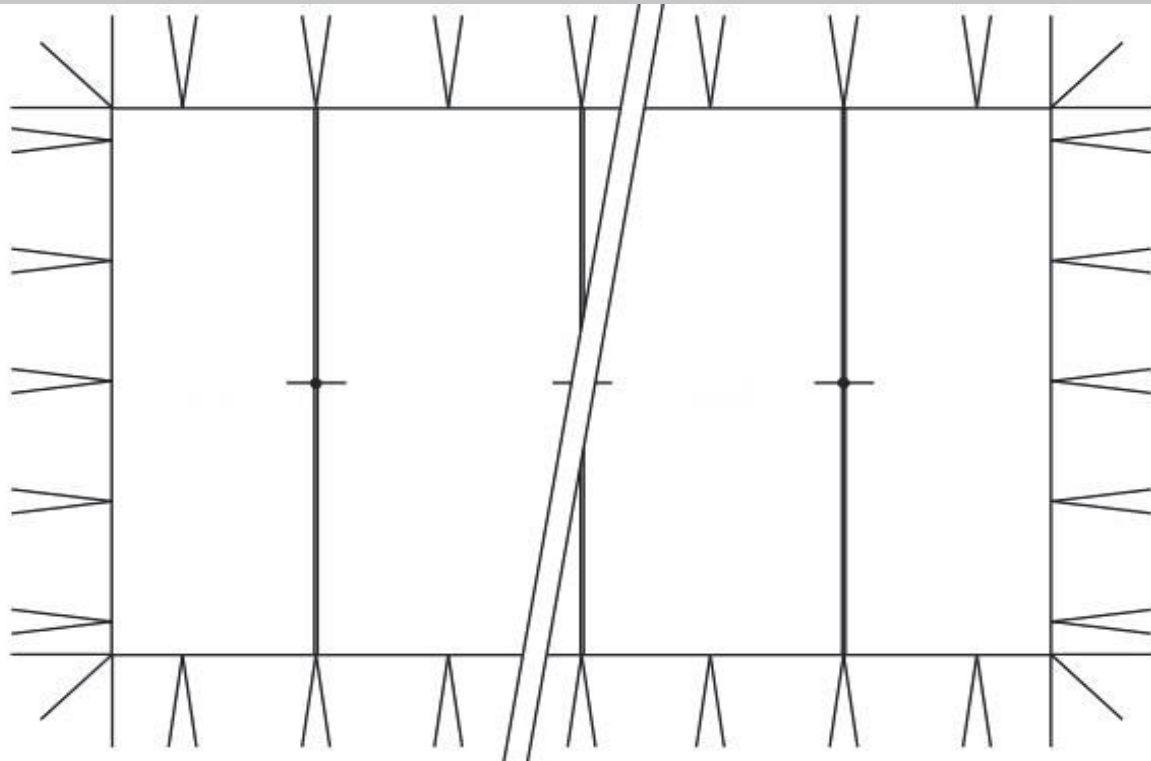


Technical data

	(mm)			
A	External ridge height	10500	Wind load	0,50 kN/m ²
B	Internal free ridge height	8800	Snow load	0 KN/m ²
C	External side height	3080		
D	External free height	2800	Bearing capacity standard floor	500kg/m ²
E	Roof overhang	0		
F	Internal free side height	2600	Column profile	160
H	External width of the roof	30292		
I	Maximum width ground level	36292	Mounting points in structure	Columns and rafters
J	Internal width between columns	30000		
K	Bay distance	12000	Standard fire resistance standard	DIN 4102/B1
L	Floorheight	183	roof covers	M2 B-s2,d0

Orion

20 m

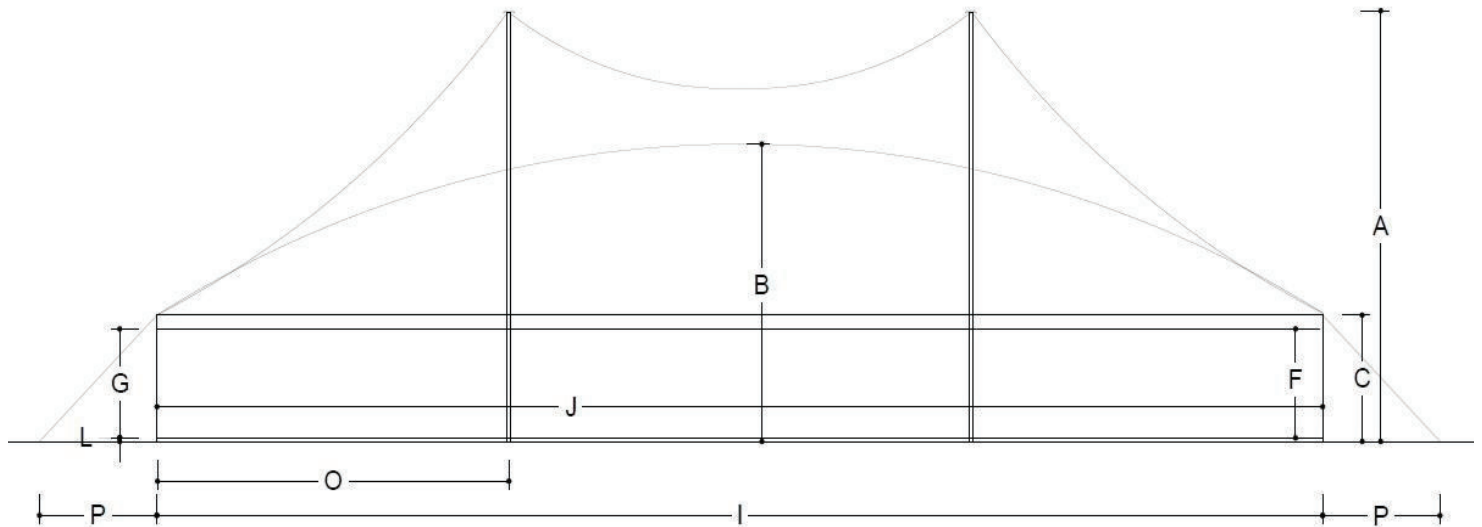


Options

Available roof covers	White opaque roof cover Transparent roof cover	Available side curtains and side panels	Vertical PVC side panels Vertical glass side panels
Available floors	Cassette floor Plate floor Antiskid cassette floor	Roof insulation	Yes
Available doors	Aluminium push bar door 2m (blind) Aluminium push bar door 2m (glass) Emergency door	Insulation side panels	No
		Connection to permanent buildings	Yes
		Connection to other De Boer structures	Yes

Orion

30 m

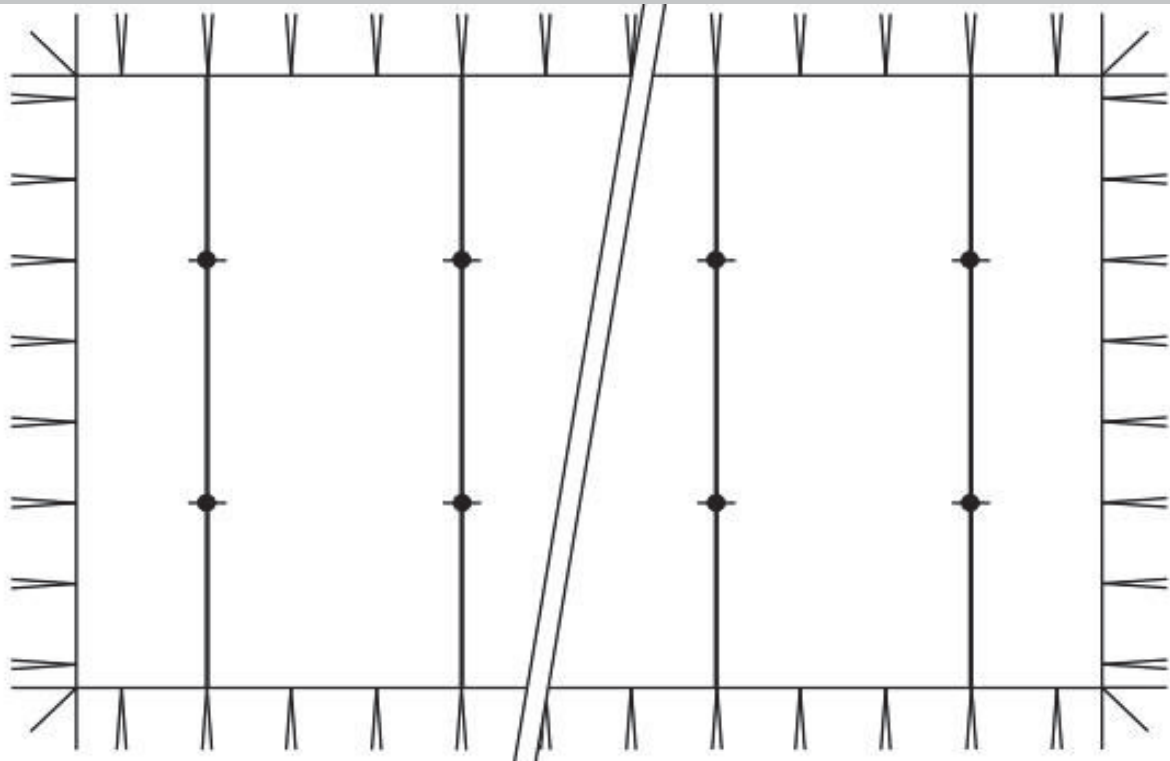


Technical data

	(mm)			
A	External ridge height	10500	Wind load	0,50 kN/m ²
B	Internal free ridge height	8800	Snow load	0 KN/m ²
C	External side height	3080	Bearing capacity standard floor	500kg/m ²
D	External free height	2800	Column profile	168
E	Roof overhang	0	Mounting points in structure	Columns and rafters
F	Internal free side height	2600	Standard fire resistance standard	DIN 4102/B1
H	External width of the roof	20292	roof covers	M2
I	Maximum width ground level	26292		B-s2,d0
J	Internal width between columns	20000		
K	Bay distance	12000		
L	Floorheight	183		

Orion

30 m



Options

Available roof covers	White opaque roof cover Transparent roof cover	Available side curtains and side panels	Vertical PVC side panels Vertical glass side panels
Available floors	Cassette floor Plate floor Antiskid cassette floor	Roof insulation	Yes
Available doors	Aluminium push bar door 2m (blind) Aluminium push bar door 2m (glass) Emergency door	Insulation side panels	No
		Connection to permanent buildings	Yes
		Connection to other De Boer structures	Yes