

# PYRAMID



## PYRAMID TENT

The Pyramid tent is a modern, four-sided pagoda tent. The entire unit is freestanding, without tension ropes and central pole and is available with an optional floor system. The Pyramid tent has PVC side curtains all the way around, which can be opened and closed very easily. At least one side of these side curtains comes with decorative PVC arched windows.

The roof sail is tensioned through the use of a spindle, thereby rendering the roof structure taut and reducing any flapping to a minimum. As a result of integrating the anchoring in the floor system this structure can also be built in places where no traditional anchoring is possible or allowed.

The Pyramid tent with its sturdy aluminium frame comes in surface areas of 16, 25 and 36 m<sup>2</sup>. Due to the fact that the Pyramid tent is modular the tent cannot only be joined with other De Boer structures, but can also be connected to permanent buildings. This allows units to be joined together in any desired combination and number, forming effectively a stylish village.

This tent is also used for product presentations and culinary events, but is, of course, also ideal for parties, exclusive garden parties, family reunions, wedding receptions and barbecues.

### QUALITY AND SAFETY

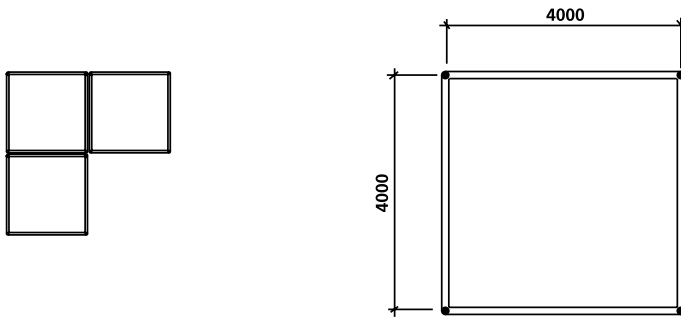
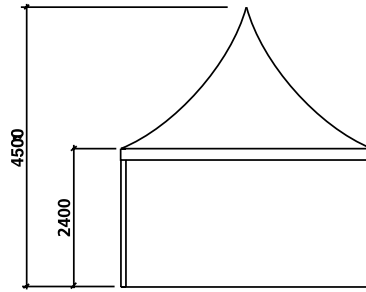
Typical of all De Boer accommodation is the integrity and safety of all the materials and structures used. Structures meet stringent European requirements, including the German DIN standards. All materials meet the highest European standards for fire safety. All structures are wind tested. In this way De Boer ensures not only stylish accommodation but carefree hospitality as well.



## PYRAMID TENT



# PYRAMID TENT

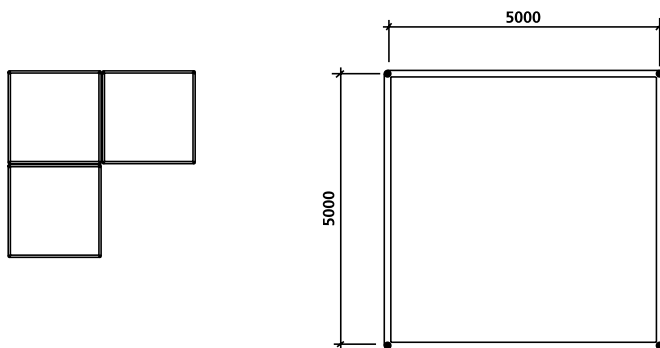
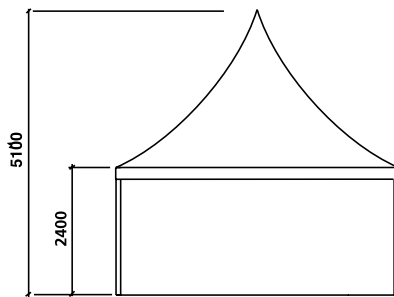


## PYRAMID 4 X 4

SIDE CURTAINS	ARCHED WINDOWS	ROOF COVERS
3 x White translucent	1 x White	White / opaque (light-proof)

Structures available	With and without system floor	TECHNICAL SPECIFICATIONS	
Maximum bearing capacity, floor	500 kg/m <sup>2</sup>	Side wall height	2.400 mm
Floor weight	approx. 640 kg	Overall height	approx. 4.500 mm
Connection with other DB structures	Yes	Wind load	0,50KN/m <sup>2</sup>
Connection to buildings	Yes	Snow load	0KN/m <sup>2</sup>
Awning available	No	Upright dimension	84 mm square
Wall lining / swags and pelmets available	No	Roof tensioning system	Fixed
		Roof span	No
		Performance calculations	Yes
		German T.U.V. assessor	Yes
		Valid assembly manual	n.a.

# PYRAMID TENT



## PYRAMID 5 X 5

### SIDE CURTAINS

3 x White translucent

### ARCHED WINDOWS

1 x White

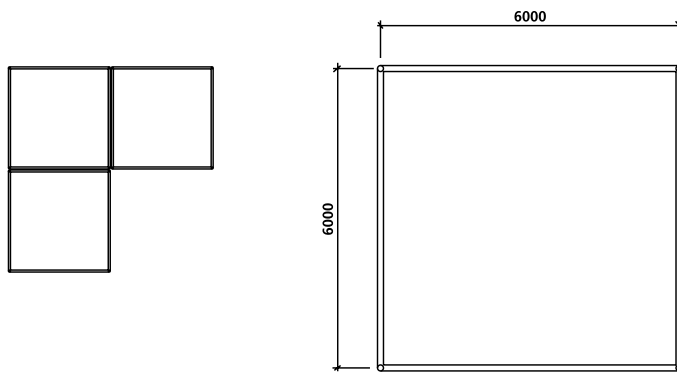
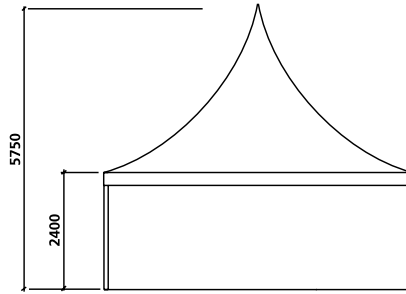
### ROOF COVERS

White / opaque (light-proof)

Structures available	With and without system floor
Maximum bearing capacity, floor	500 kg/m <sup>2</sup>
Floor weight	approx. 960 kg
Connection with other DB structures	Yes
Connection to buildings	Yes
Awning available	No
Wall lining / swags and pelmets available	No

TECHNICAL SPECIFICATIONS	
Side wall height	2.400 mm
Overall height	approx. 5.100 mm
Wind load	0,50KN/m <sup>2</sup>
Snow load	0KN/m <sup>2</sup>
Upright dimension	84 mm square
Roof tensioning system	Fixed
Roof span	No
Performance calculations	Yes
German T.U.V. assessor	Yes
Valid assembly manual	n.a.

# PYRAMID TENT



## PYRAMID 6 X 6

SIDE CURTAINS	ARCHED WINDOWS	ROOF COVERS
3 x White translucent	1 x White	White / opaque (light-proof)

Structures available	With and without system floor	TECHNICAL SPECIFICATIONS	
Maximum bearing capacity, floor	500 kg/m <sup>2</sup>	Side wall height	2.400 mm
Floor weight	approx. 1.450 kg	Overall height	approx. 5.750 mm
Connection with other DB structures	Yes	Wind load	0,50KN/m <sup>2</sup>
Connection to buildings	Yes	Snow load	0KN/m <sup>2</sup>
Awning available	No	Upright dimension	84 mm square
Wall lining / swags and pelmets available	No	Roof tensioning system	Fixed
		Roof span	No
		Performance calculations	Yes
		German T.U.V. assessor	Yes
		Valid assembly manual	n.a.